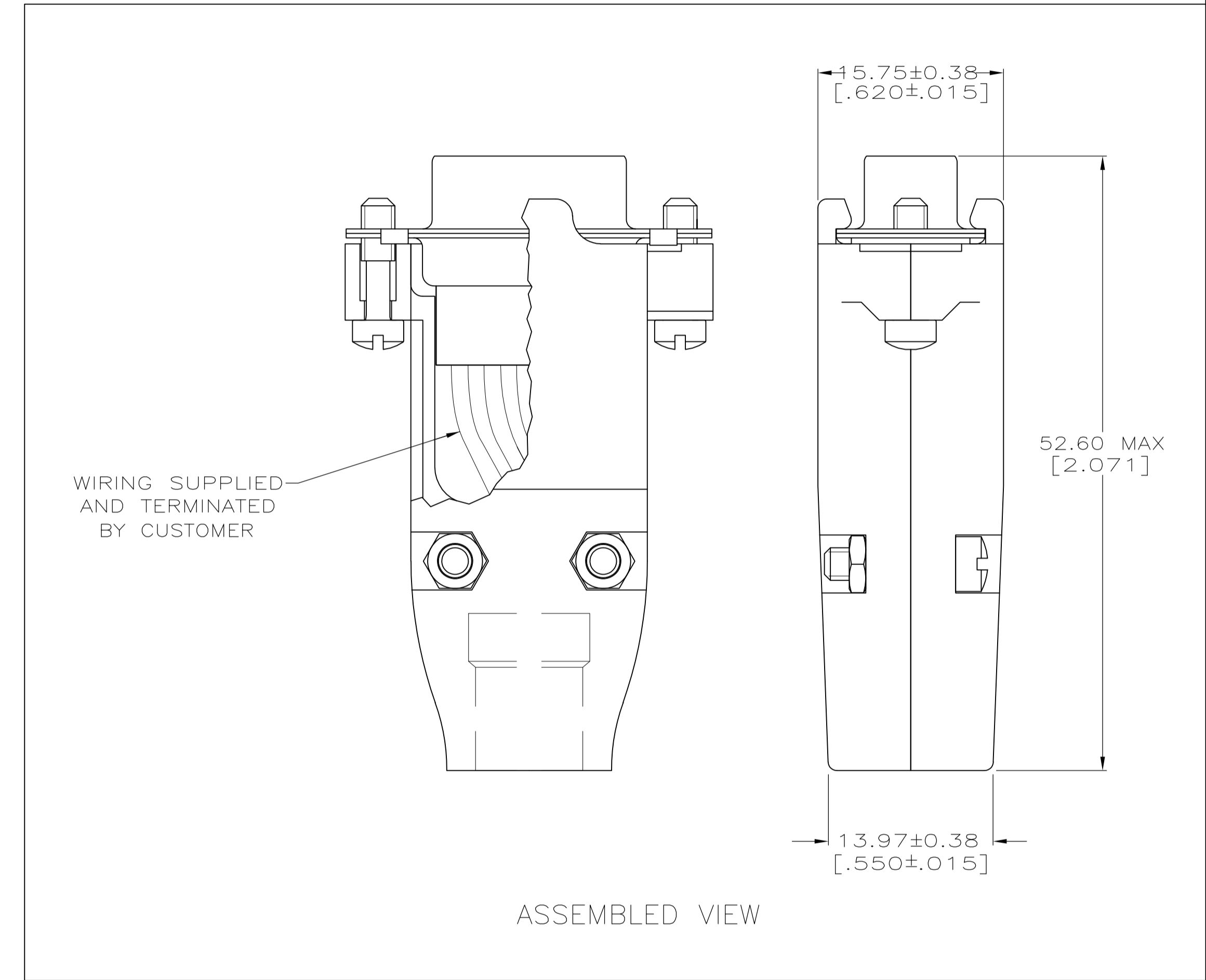
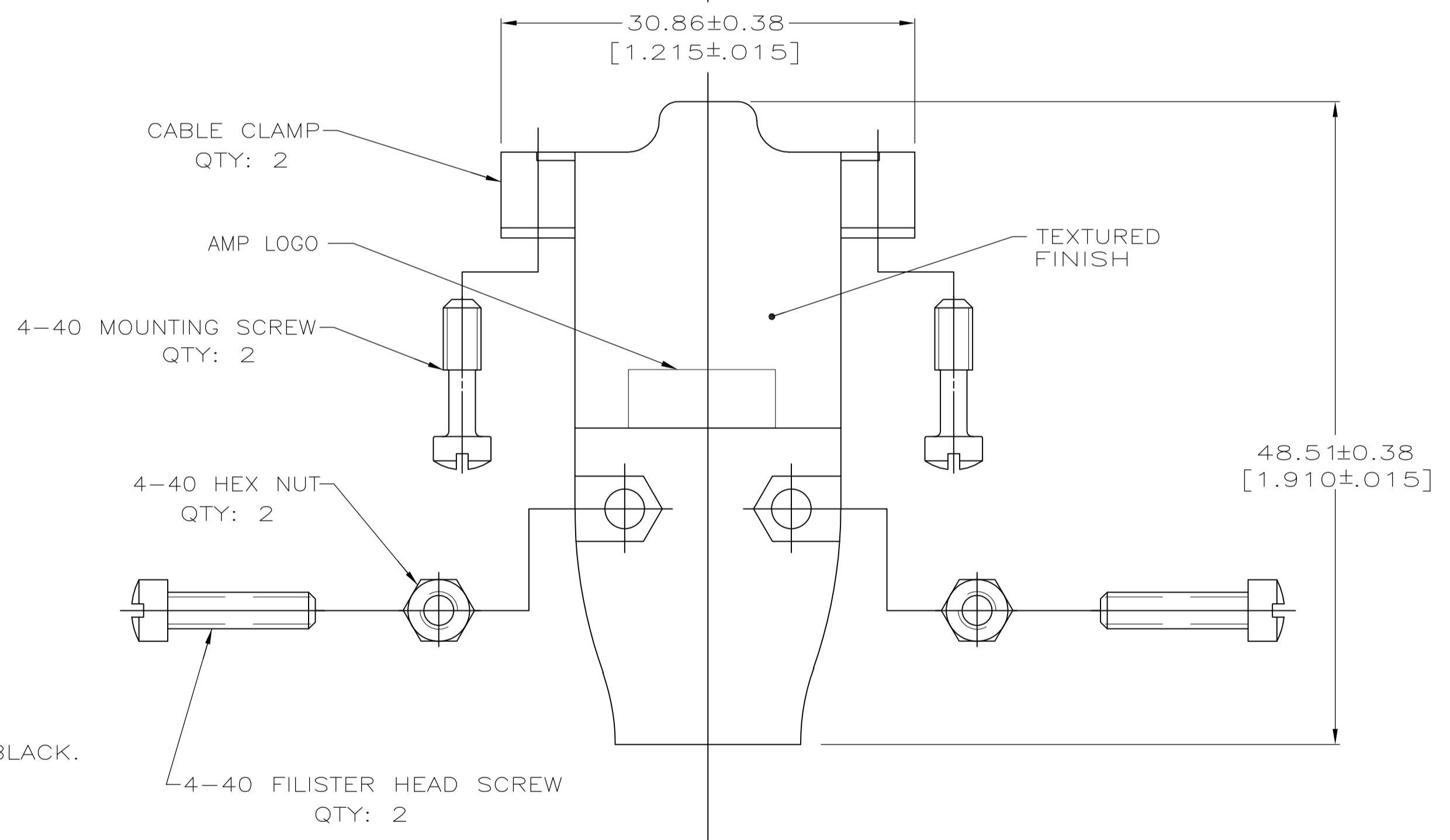


REAR INSERT AMP. PART NO & DATE CODE, MARKED IN AREA INDICATED, ON FAR SIDE



- 1 CONTACTS ACCEPT 24-20 AWG RANGE.
- 2 INSERTS: NYLON, GLASS FILLED, UL 94V-0 RATED, BLACK.
- 3 GROMMETS: PVC, UL 94V-0 RATED, BLACK.
- 4 CONTACTS: PHOSPHOR BRONZE.
- 5 SHELL: CARBON STEEL.
- 6 CABLE CLAMPS: ZINC; SCREWS & NUTS: CARBON STEEL.
- 7 CONTACTS: GOLD FLASH FOR A LENGTH OF 2.54[.100] MIN FROM MATING END, 2.54µm[.000100] MIN TIN ON OPPOSITE END FOR A LENGTH OF 4.06 [.160] MIN FROM END OF INSULATION BARREL, BOTH OVER 0.76µm[.000030] MIN NICKEL ON ENTIRE CONTACT.
- 8 SHELLS: 5.08µm[.000200] MIN TIN OVER 2.54µm[.000100] MIN COPPER.
- 9 MOUNTING SCREWS & NUTS: 3.81µm[.000150] MIN ZINC, CLEAR CHROMATE COATED. FILISTER HEAD SCREWS: ZINC, CLEAR CHROMATE COATED.
- 10 CABLE CLAMPS: NICKEL OVER COPPER.

749806-7
PART NUMBER

THIS DRAWING IS A CONTROLLED DOCUMENT.		DIN J. REITZEL 1AUG03	STE TE Connectivity	
DIMENSIONS: mm [INCHES]		CHK S. BOLASH 1AUG03	NAME RECEPTACLE KIT, UNASSEMBLED, SIZE 1, 9 POSN, METAL SHELL, AMPLIMITE, HDP-20	
TOLERANCES UNLESS OTHERWISE SPECIFIED:		APP'D M. WAMSLEY 1AUG03	PRODUCT SPEC 108-40005	
0. PLC ± -		APPLICATION SPEC 114-40030		
1. PLC ± ± 0.13[.005]		SIZE A1		CAGE CODE 749806-7
2. PLC ± ± -		WEIGHT -		RESTRICTED TO -
3. PLC ± ± -		CUSTOMER DRAWING		
4. PLC ANGLES ± ± -		SCALE 2:1 SHEET 1 OF 1 REV B1		